

LCD-Display

FD2K-2824-C



- 28" Color active-TFT-LCD with converter C140
- Resolution (physical) 2,048 x 2,048 Pixel and 16.7 Mio. colors
- 2 x DVI-D (dual link) input
- 1 x RGB/HV input (50 / 75 Ω), optional 2 x RGB/HV input
- Automatic synchronization
- High contrast (1000 : 1) and brightness (225 cd/m²)
- Backlight regulation
- Easy to use OSD-operation
- Software control via RS232 or RS422
- Optional TCP-IP (Protocol: HTTP or SNMP), USB interface and second Power supply

Description

The FD2K-2824-C is a high quality chassis mount display with a 28" TFT LCD for air traffic control. Two dual link DVI-D interfaces allow toggling between main and backup systems without the need for external video switches. The analog interface(s) provides compatibility with legacy analogue CRT displays. An integrated backlight control may be set to compensate for age related loss of brightness of the backlight unit allowing constant display brightness to be achieved over extended periods of operation. Display adjustments can be made manually supported by a graphic OSD (On Screen Display), by RS232 or RS422 serial interfaces or by an IR-remote control or TCP-IP (Protocol: HTTP or SNMP). An optional second analogue input may be added providing two Dual Link DVI-D and two RGB inputs within the same display.

Technical Data

Input signal 1 (RGB):

Level (Video) 0.7 V_{SS} RGB (50 Ω)
Synchronization Sep. Sync 1V_{SS} (75 Ω)

H-Frequency 30 – 150 kHz
V-Frequency 50 – 100 Hz
Pixel frequency max. 380 MHz
Colors max. 16,7 Mio.
Resolution max. 2,048 x 2,048 Pixel
Interface 5 x BNC

Input signal 2 (DVI):

Type DVI 1.0 (dual link)
Pixel frequency 25 – 165 MHz

Input signal 3 (DVI):

Type DVI 1.0 (dual link)
Pixel frequency 25 – 165 MHz

Display module:

Type 28" color active TFT-LCD
Screen size (W x H) 503.808 x 503.808 mm²
Resolution / Pitch 2,048 x 2,048 / 0.246 mm
Colors 16.7 Mio.
Viewing angle 170° (hor. and vert.)
Contrast 1000 : 1
Brightness 225 cd/m²

Power supply:

Input voltage 100 to 240 VAC
Power consumption app. 200 W

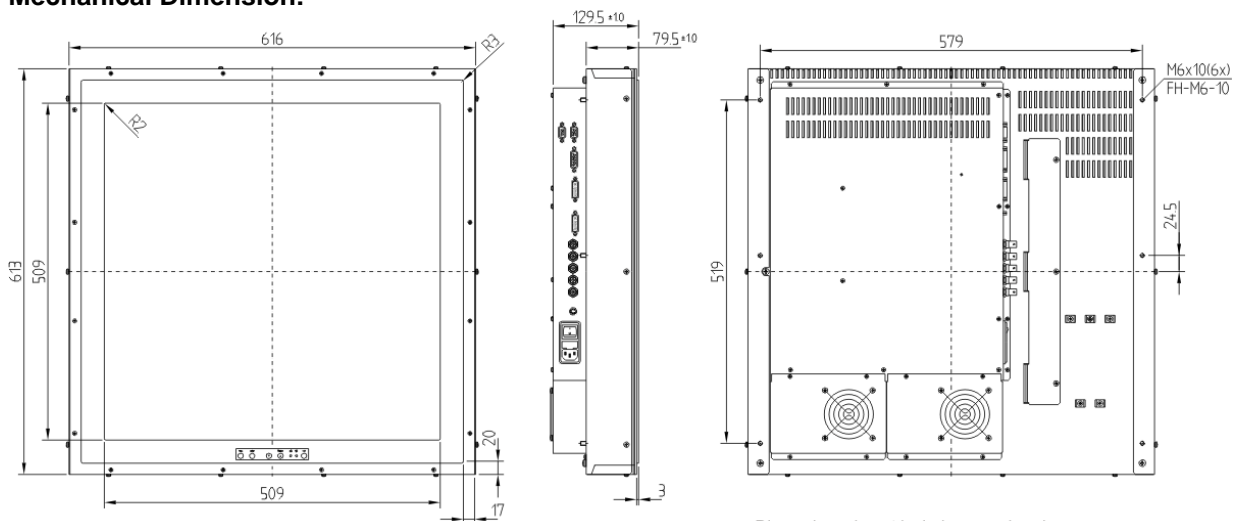
Environment:

Operating temperature 0 to +40 °C
Storage temperature -20 to +60 °C
Humidity max. 95 %
without condensation

Certification:

CE, EN60950

Mechanical Dimension:



Dimensions do not include screw head

EIZO Technologies reserves the right to implement changes in design and technology which serve the improvement of the product. Specifications are subject to minimal deviations due to production.

EIZO Technologies GmbH
Bürgermeister-Seidl-Str. 8
D-82515 Wolfratshausen

Tel. : +49 / 8171 / 3492-0
Fax : +49 / 8171 / 3492-16
URL : <http://www.eizo-tech.com>
: <http://www.atcdisplays.com>